



- Double the output of similar LED fixtures
- Very long throw (100+ feet)
- On-board dimmer
- Instant on
- Available in daylight or tungsten
- Color accurate from fixture to fixture
- Stable color through entire dim range
- Emits no UV or IR
- Long-life LEDs (20,000+ hours)
- 90V-240V AC input
- Draws 1/2 amp@120V, 1/4 amp@240V
- DMX controllable
- Two year limited warranty
- Patented design
- ETL & CE compliant

The NH is the light you need in place of those hot and hungry 200W HMIs or 350W tungsten fixtures. Add the flexibility of the Nila lens system and optional accessories like Chimera adapters and barn doors and you have a fixture that's capable of being both a studio stalwart and a real workhorse in the field.



*"Nila fixtures went up against our HMIs and performed very well. The HMI rig needed four guys all day to deal with light level changes. I was by myself with a one-on-five location. Nila's lensing system has proven to be a Godsend."*

Jabez Maurer - CNN Lighting Director



**ENVIRONMENTALLY  
SUSTAINABLE  
LED LIGHTING**

## ACCESSORIES



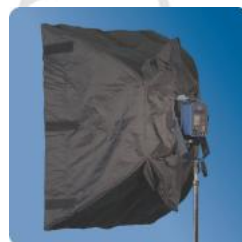
Lenses



Barn Doors



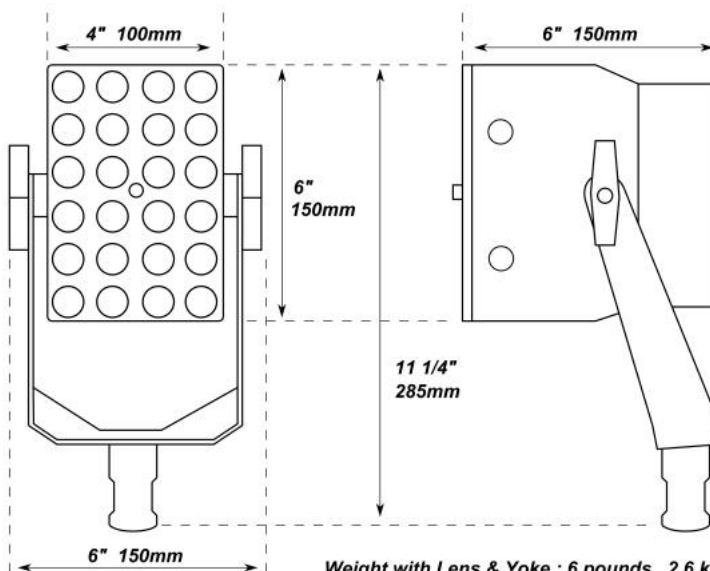
Egg Crates



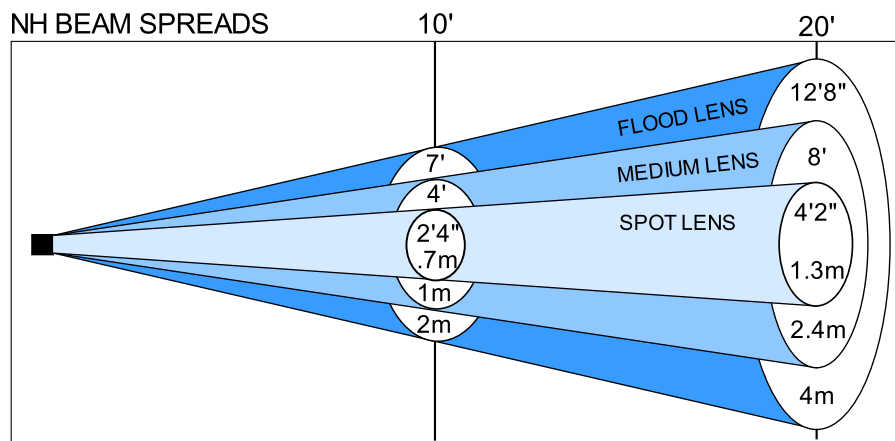
Chimera



Hard Gels



## NH BEAM SPREADS



NH DAYLIGHT	LENS	SPREAD	Distance (FC)			Lux		
			3'	10'	20'	1m	3m	6m
	No Lens	120°	240	16	4	2600	170	43
	Spot	10°	3800	340	80	44000	3600	840
	Medium	25°	1300	97	25	15000	1000	260
	Flood	45°	670	45	11	7000	500	120
	Elliptical Horiz.	45°x10°	1400	97	28	16000	1000	300
	Elliptical Vert.	10°x45°	1400	97	28	16000	1000	300

NH TUNGSTEN	LENS	SPREAD	Distance (FC)			Lux		
			3'	10'	20'	1m	3m	6m
	No Lens	120°	140	13	3.2	1500	140	35
	Spot	10°	1800	190	50	19000	2000	520
	Medium	25°	670	70	17	7000	740	180
	Flood	45°	320	30	8	3400	320	86
	Elliptical Horiz.	45°x10°	700	80	20	8000	840	210
	Elliptical Vert.	10°x45°	700	80	20	8000	840	210

ENVIRONMENTALLY  
SUSTAINABLE  
LED LIGHTING

